



Trough Sink in Ash Concrete

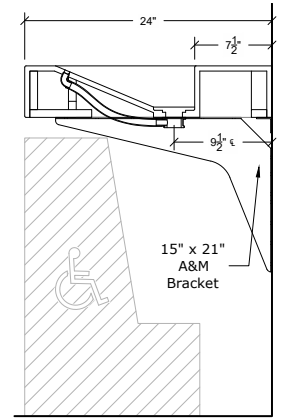
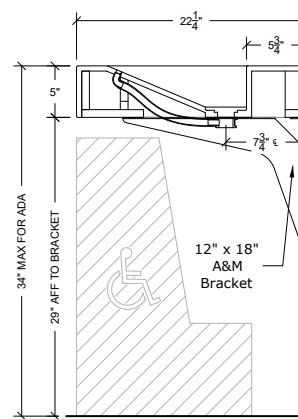
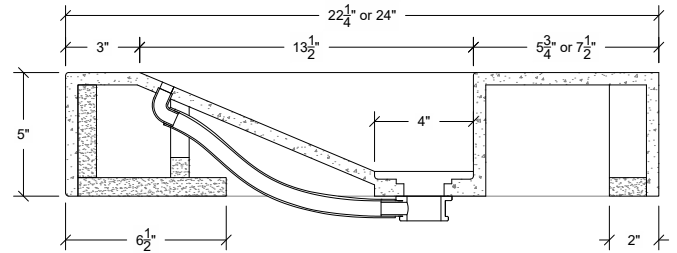
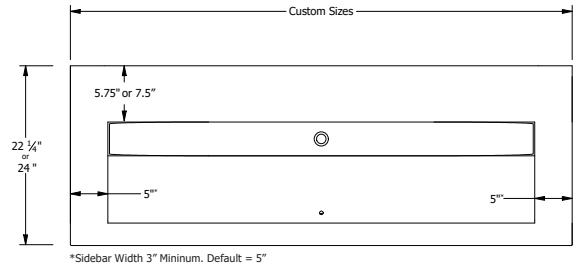
TROUGH SINK FEATURES

- ✓ Fabricated with Solid Surface
- ✓ Top finished all four sides
- ✓ 24" or 22-1/4" depth in custom widths
- ✓ ADA Compliant (when installed to guidelines)
- ✓ 1/8" Eased edge profile
- ✓ Custom drilling available for any faucet size
- ✓ Includes 1-1/4" chrome grid drain with overflow
- ✓ Single center drain for up to 61", double drain up to 91", triple drain for 91" and up
- ✓ Optional loose back and/or end splash
- ✓ Optional wall-mount hardware available

SEMI-CUSTOM & READY-TO-INSTALL

TROUGH SINKS

Introducing Portfolio 71's line of semi-custom, ready-to-install trough sinks, fabricated with 100% premium Corian® Solid Surface. Elevate your installation with these beautiful hand-crafted, on-trend sinks for whatever your application.



SOLID SURFACE BENEFITS



Nonporous
& Hygienic



Durable &
Long-lasting



Carefree
Maintenance



Stain & Mildew
Resistant

PORTFOLIO 71

Simple solutions to add beauty & luxury to any residential or commercial bathroom

CONTACT

- ✉ psorder@parksite.com
- ☎ (800) 237-0229
- 🌐 www.portfolio71.com

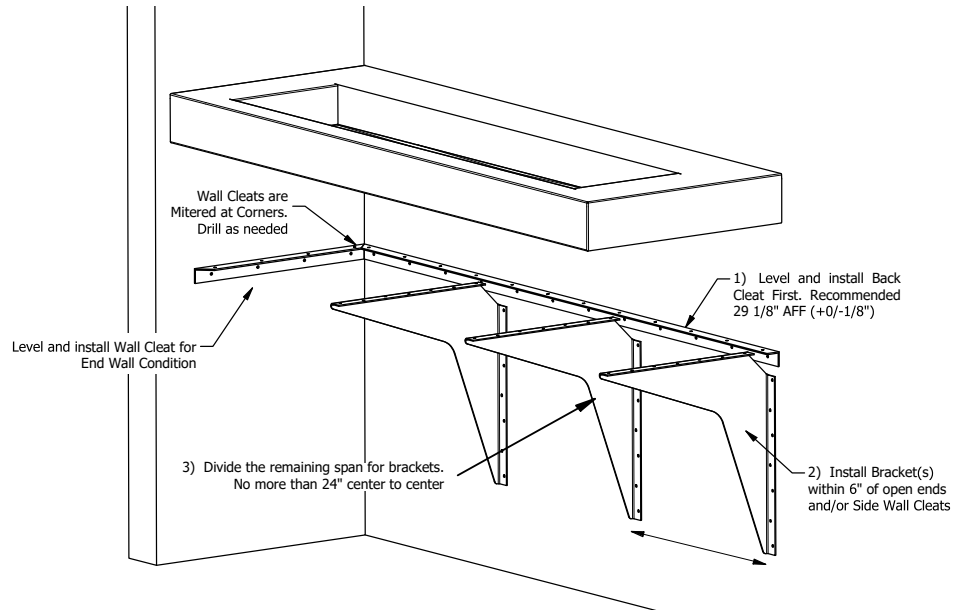
TROUGH SINKS

OPTIONAL INSTALLATION HARDWARE

- ✓ Includes A&M 15" x 21" or 12" x 18" brackets in black finish (1 per 24" plus 1)
- ✓ Includes 1-1/2" x 1-1/2" mill aluminum angle wall cleat
- ✓ Wall cleat is mitered at corners and can be drilled as needed
- ✓ End wall cleats are 21" or 18" deep
- ✓ Screws and wall fasteners are not included
- ✓ Black finished screws are recommended
- ✓ Additional bracket sizes available for standoff application

SIMPLE INSTALLATION

1. Install wall cleat at desired height
2. Install brackets at open end
3. Install center brackets



COLOR SUGGESTIONS

Choose from the below, or any of 100+ Corian® Solid Surface colors



Artista Mist



Artista Sage



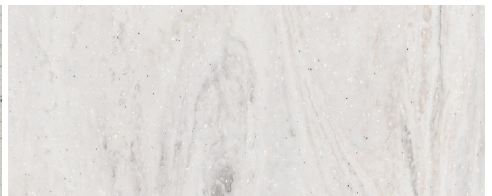
Ash Aggregate



Carbon Aggregate



Excavage



Limestone Prima